



Photo: Scenos Techninis Servisas, Black Sea Arena, Georgia.

## EASYFRAME C

### System Description:

Based on customer experience, Prolite created a new, multipurpose support frame that provides the ultimate in configuration flexibility. EasyFrame C is equally adaptable to use for stages, seating areas or tribunes.

### A strategic investment:

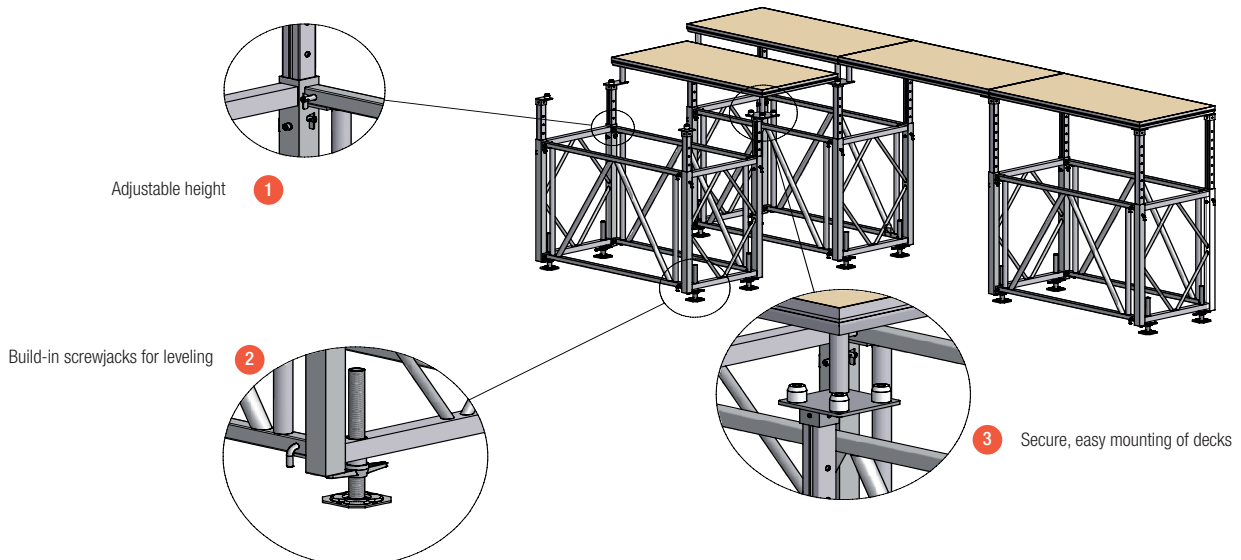
The StageDex EasyFrame C can be used for flat stages as well as raised platforms or bleachers (tribunes). This makes the initial investment very economical, since only one system needs to be purchased for several applications. Ease of assembly also reduces build-up times. Free corridors, which can be created under the stage, allow for handy storage space for your empties and also serve as the ideal location for dimmer city or other uses.

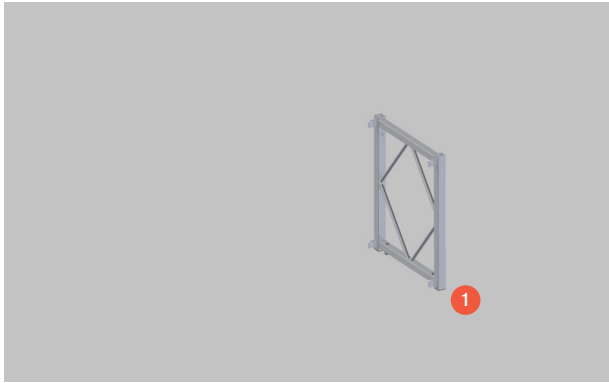
### Easy does it:

The setup of an EasyFrame C is fast, straightforward and requires only one tool. Due to the use of lightweight material, only one technician is needed to handle each part.

There are two basic types of EasyFrame C: sub frame 1 varies in height between 100-150 cm, while sub frame 2 varies between 160-270 cm. All intermediate steps are either standard or tailor-made by means of the hole distance in the inside legs.

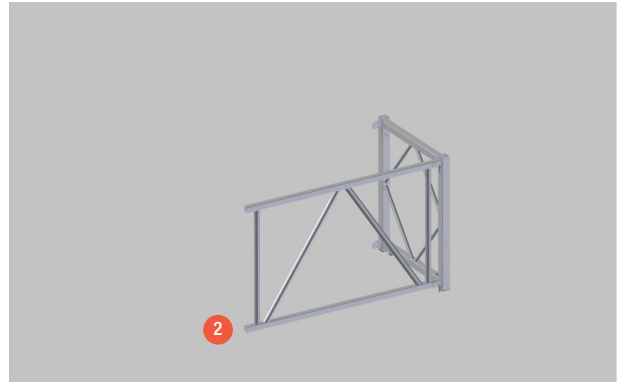
Optional screw jacks provide levelling, or optional castors give you the opportunity to build a RollingStage as well. Standard StageDex are fitted to the top of the EasyFrame C system with a StageDex adapter, which fixes the decks horizontally as well as vertically.





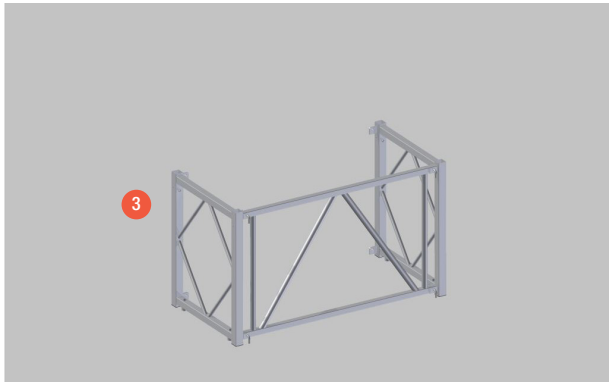
### STEP 1

Place the base frame (SM-TRB-F-..) at your desired starting point. Frames are available in heights: 1000 – 1500mm (number 01) or 1600 – 2700mm (number 02).



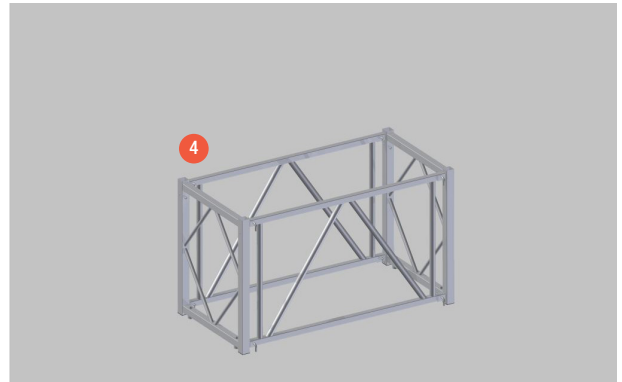
### STEP 2

Connect the side frame (SM-TRB-F-B-..) to the base frame with the L-pins (SM-F-A-LP16). After positioning the parts can stand free, without toppling over. This facilitates easy assembly of the locking pin.



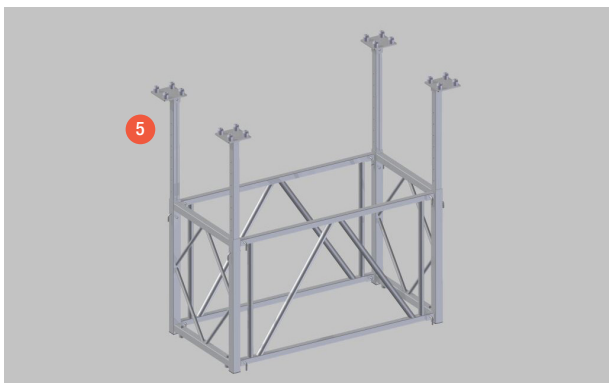
### STEP 3

Connect the second base frame to the assembly, using the L-pins.



### STEP 4

Connect the final side to the assembly, using the L-pins.



### STEP 5

Insert the extendable legs (SM-TRB-ADJ-LEG-..) in the base frames. Adjust them for the correct height and then secure them with the L-pin.



### STEP 6

Place your decks on top of the deck adapters (SM-TRB-D-ADAP-..).

