

## *theFan* DMX/RDM DIGITAL FAN

### Installation

The MDG *theFan* comes ready to use.

It can be suspended from a truss via a Omega clamp or a Half Cheeseborough clamp, or it can be simply placed on a horizontal surface on its vibration feet.

- Connect the data wiring (DMX or RDM), if you want to use remote control
- Plug the IEC power cord (90–250 VAC, 50-60 Hz, 100 W)
- Block the hand wheels
- Switch on the power

The MDG *theFan* is now ready to be used.

... For further details, please read the **Operating Guide**.



### DMX / RDM

The MDG *theFan* has two personalities:

#### Mode 1 Channel

1. Fan Off < 10% (26)  
Fan Speed, from low (10%) to high (100%)

#### Mode 2 Channels

1. Fan Off < 50 % (128) ≤ Fan On
2. Fan Speed, from low (0%) to high (100%)

The MDG *theFan* is implemented with the most common RDM parameters.

### Menu Tree

1. <b>FAN</b>	On/Off	Mode 2 Channels only	/	DMX Channel #1
2. <b>Output</b>	0 – 255	Mode 1 Channel	/	DMX Channel #1
		Mode 2 Channels	/	DMX Channel #2
3. <b>DMX Add</b>	1 – 511	Can also be set via RDM		
4. <b>DMX Pers</b>	1 CH – 2 CH	Can also be set via RDM		
5. <b>Mode</b>	Auto / Local / DMX	In AUTO, DMX controls always take precedence over Local commands		
6. Firmware	1.xxx			
7. <b>Dev. ID</b>	xxxxx	Label ID. Can only be set via RDM		
8. UID	xxxxx	RDM Unique ID		

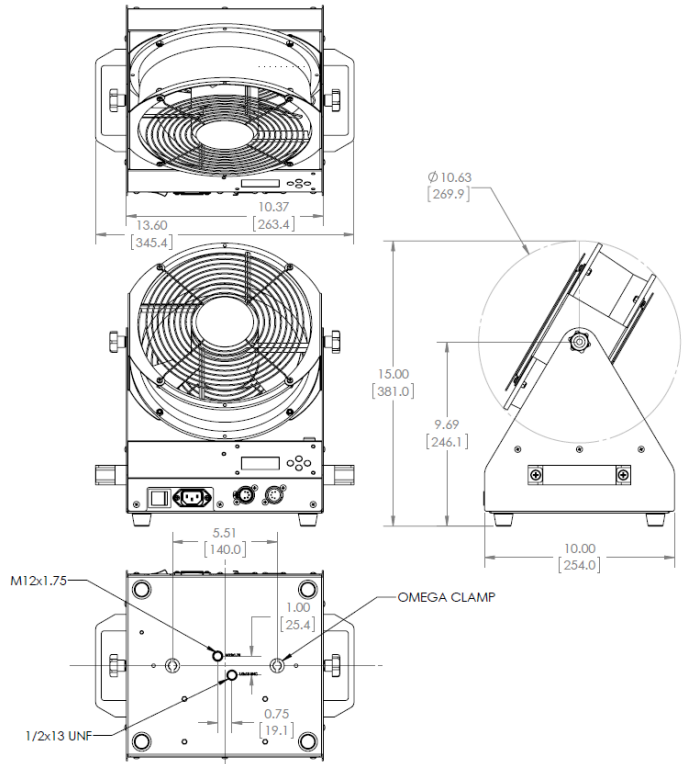
# Datasheet

**Mechanical**      3-bladed fan, 270° tilt  
 Variable speed, Max airflow: 850 CFM  
 Noise Level: 64db @ full speed  
 Omega clamp socket  
 M12x1.75 metric bolt hole  
 1/2"x13 imperial bolt hole  
 2 handles  
 4-button controller with LCD panel  
 Storage temperature: -40°C to +90°C  
 Operating temperature: -20°C to +75°C  
 Total net weight: 6.8 kg (15 lbs)

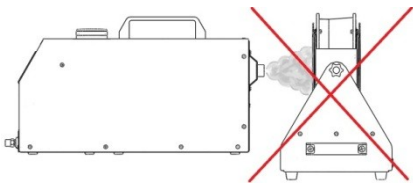
**Electrical**      100 – 240 VAC, 50/60 Hz, single phase  
 100 Watts  
 IEC 315/C15, UL/CSA /CE 18 AWG cord

**Data**              1 standard USITT DMX512 channels  
 2 XLR-5 connectors: 1 input, 1 output.  
 Controllable through DMX + RDM

# Dimensions

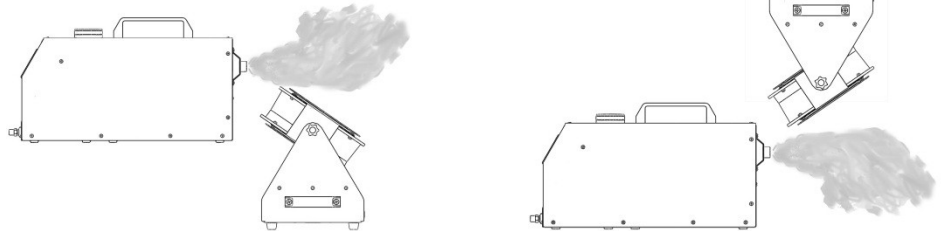


## Using *theFan* with a fog generator



**Always blows the fog...**

Do not place the MDG **theFan** in front of a fog generator with the fog flowing through the fan.  
 This will cause condensation and will degrade the quality of the fog.



## Rigging *theFan*

Verify that the structure can support at least 10 times the total weight of the complete fixtures.  
 Verify that Cheeseborough bolts are properly tightened.  
 Any quarter-turn fasteners used (omega clamp) must be turned a full quarter turn clockwise to lock them.  
 Always use a safety cable that can hold at least 10 times the weight of the MDG **theFan**.

